

Aeonic

Aeonic series consists of a range of linear downlights with a choice of reflector design & variety of reflector finishes.

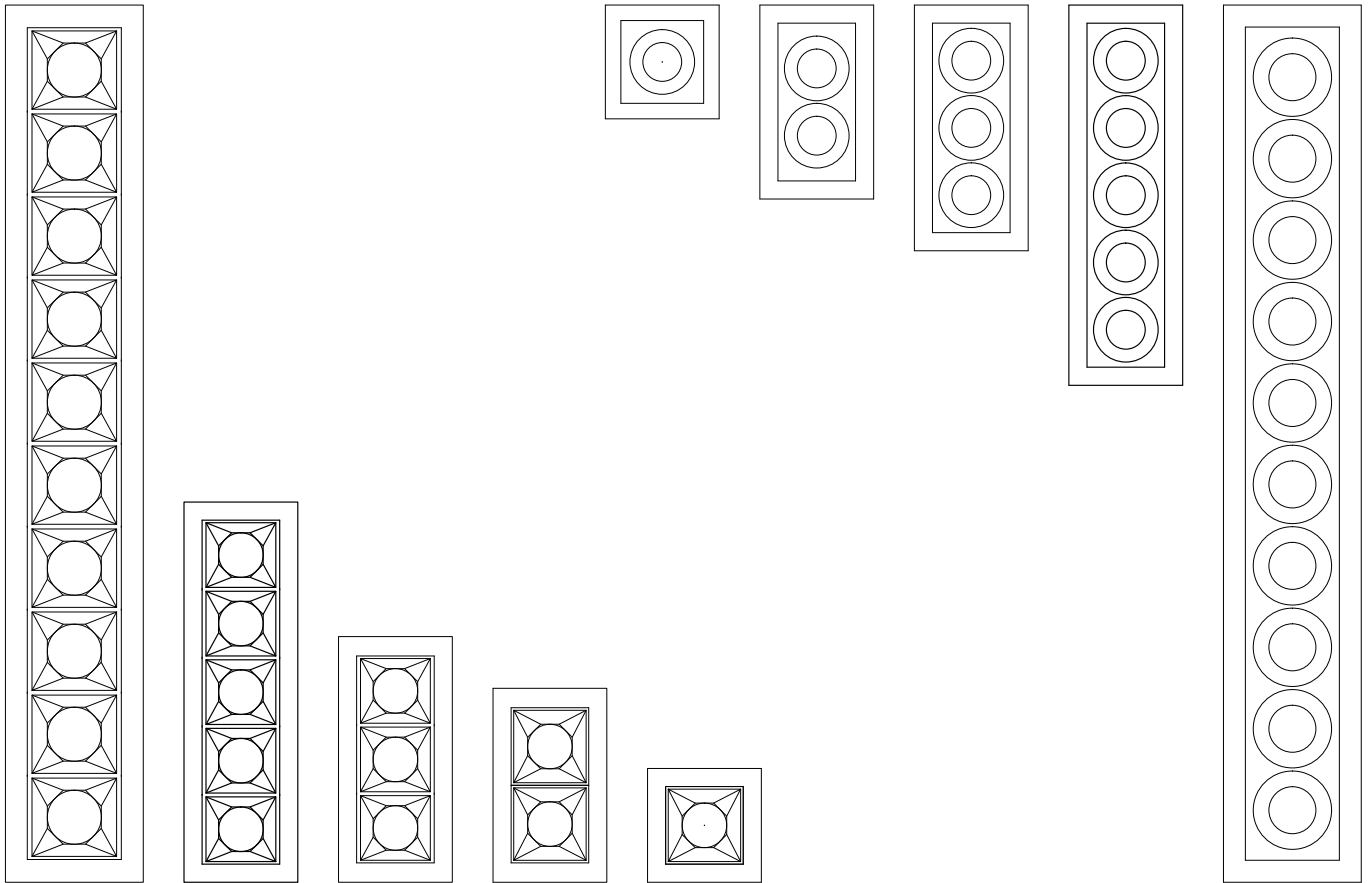
It is available in anti-glare recessed trim & trimless versions along with surface mounted version.



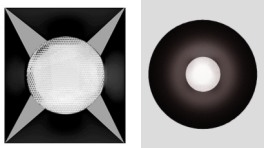
Project - Brookfield Commercial
Mumbai, India

Aeonic - Features

Available in 1, 2, 3, 5 & 10 lamp versions with 2 reflector designs - Brick & Circle



Grid & Brick Reflector Design Options



- Square Shaped Grid Design
- Round Shaped Reflector Design
- Lens Based Optics

Metallised & Matt Reflector



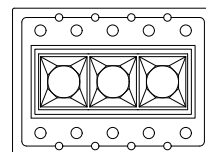
- Multiple reflector finishes
- Low UGR value
- Stress free anti glare output

Wallwash Optic

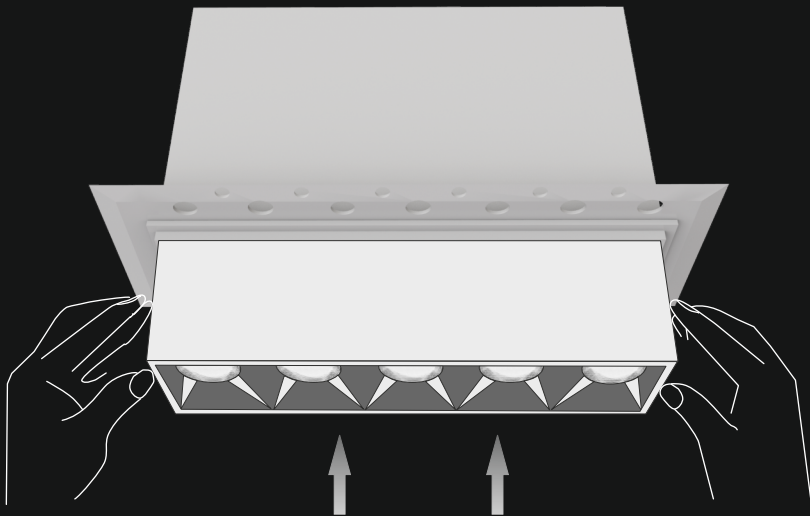
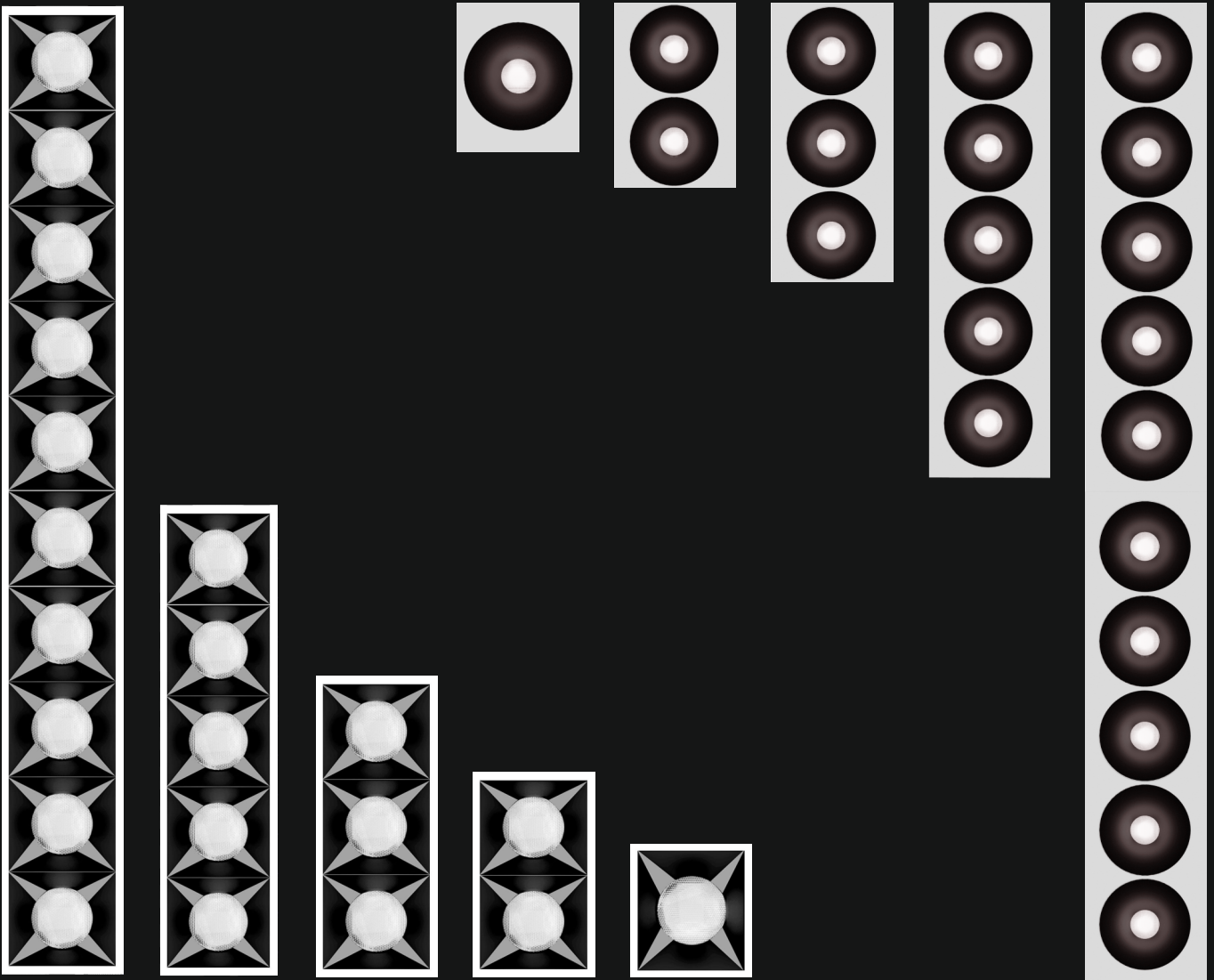


- Linear wallwash optic lens
- Available in 3, 5 & 10 lamp units

Trimless & Surface Models



- Unique push to release switch for trimless fixtures
- Surface mounting with inbuilt driver

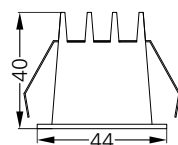
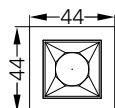
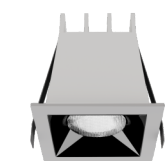


Ceiling protection trimless mounting with inbuilt "Push to Release" switch enabling easy access to fixture and driver for installation & maintenance

Aeonic

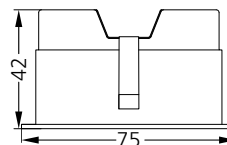
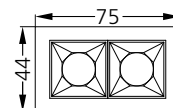
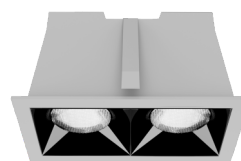
LED	Typ CRI	Trim Finish	Reflector Finish	IP Rating	Dimming Options	Filter Options
High Power 3 Step MacAdam L90-B10 60,000Hrs	92	Matt White Matt Black	Specular Pearl Black	IP20	Non Dim Triac Analog Dali Dali Tunable RF Tunable	NA

Aeonic Brick



37x37

1x1
#1248



66x37

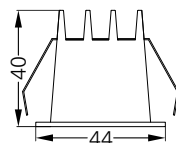
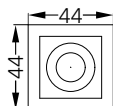
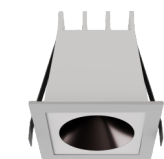
1x2
#1254

Power	2W - 500mA	4W - 500mA
Lumen / CCT	183lm - 2700K 190lm - 3000K 195lm - 4000K Tunable White	370lm - 2700K 380lm - 3000K 388lm - 4000K Tunable White
UGR	< 19	< 19
Beam Angle	15° 24° 38° 60°	15° 24° 38° 60°
Driver Placement	Remote	Remote

Aeonic

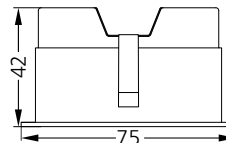
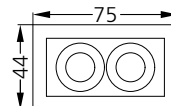
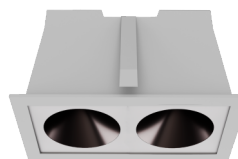
LED	Typ CRI	Trim Finish	Reflector Finish	IP Rating	Dimming Options	Filter Options
High Power 3 Step MacAdam L90-B10 60,000Hrs	92	Matt White Matt Black	Matt White Matt Black Specular Pearl Black Matt Gold	IP20	Non Dim Triac Analog Dali Dali Tunable RF Tunable	NA

Aeonic Circle



37x37

1x1
#1251



66x37

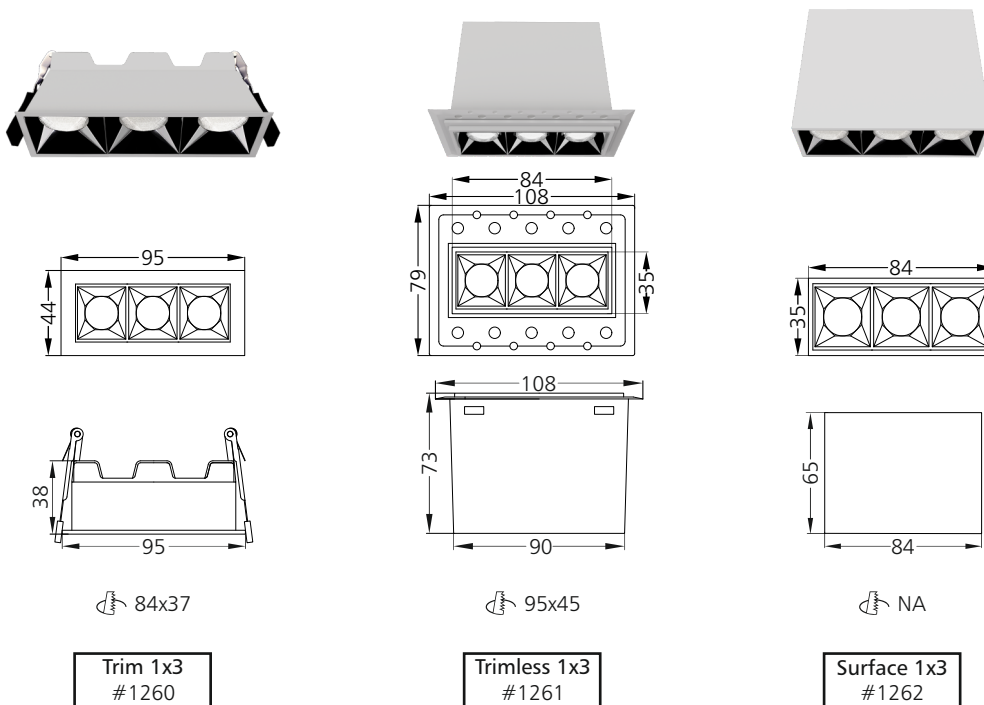
1x2
#1257

Power	2W - 500mA	4W - 500mA
Lumen / CCT	183lm - 2700K 190lm - 3000K 195lm - 4000K Tunable White	370lm - 2700K 380lm - 3000K 388lm - 4000K Tunable White
UGR	<19	<19
Beam Angle	15° 24° 38°	15° 24° 38°
Driver Placement	Remote	Remote

Aeonic

LED	Typ CRI	Body Finish	Reflector Finish	IP Rating	Dimming Options	Filter Options
High Power 3 Step MacAdam L90-B10 60,000Hrs	92	Matt White Matt Black	Specular Pearl Black	IP20	Non Dim Triac Analog Dali Dali Tunable RF Tunable	NA

Aeonic Brick

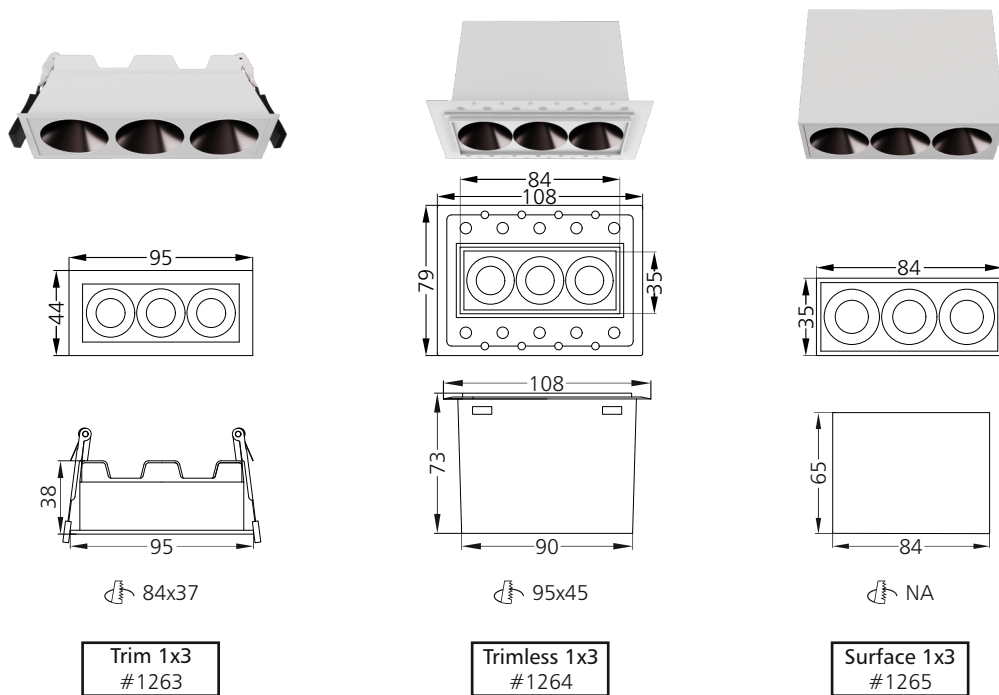


	Trim 1x3 #1260	Trimless 1x3 #1261	Surface 1x3 #1262
Power	6W - 500mA	6W - 500mA	6W - 500mA
Lumen / CCT	550lm - 2700K 565lm - 3000K 580lm - 4000K Tunable White	550lm - 2700K 565lm - 3000K 580lm - 4000K Tunable White	550lm - 2700K 565lm - 3000K 580lm - 4000K Tunable White
UGR	<19	<19	<19
Beam Angle	15° 24° 38° 60° Wallwash	15° 24° 38° 60° Wallwash	15° 24° 38° 60° Wallwash
Driver Placement	Remote	Remote	In-built

Aeonic

LED	Typ CRI	Body Finish	Reflector Finish	IP Rating	Dimming Options	Filter Options
High Power 3 Step MacAdam L90-B10 60,000Hrs	92	Matt White Matt Black	Matt White Matt Black Specular Pearl Black Matt Gold	IP20	Non Dim Triac Analog Dali Dali Tunable RF Tunable	NA

Aeonic Circle

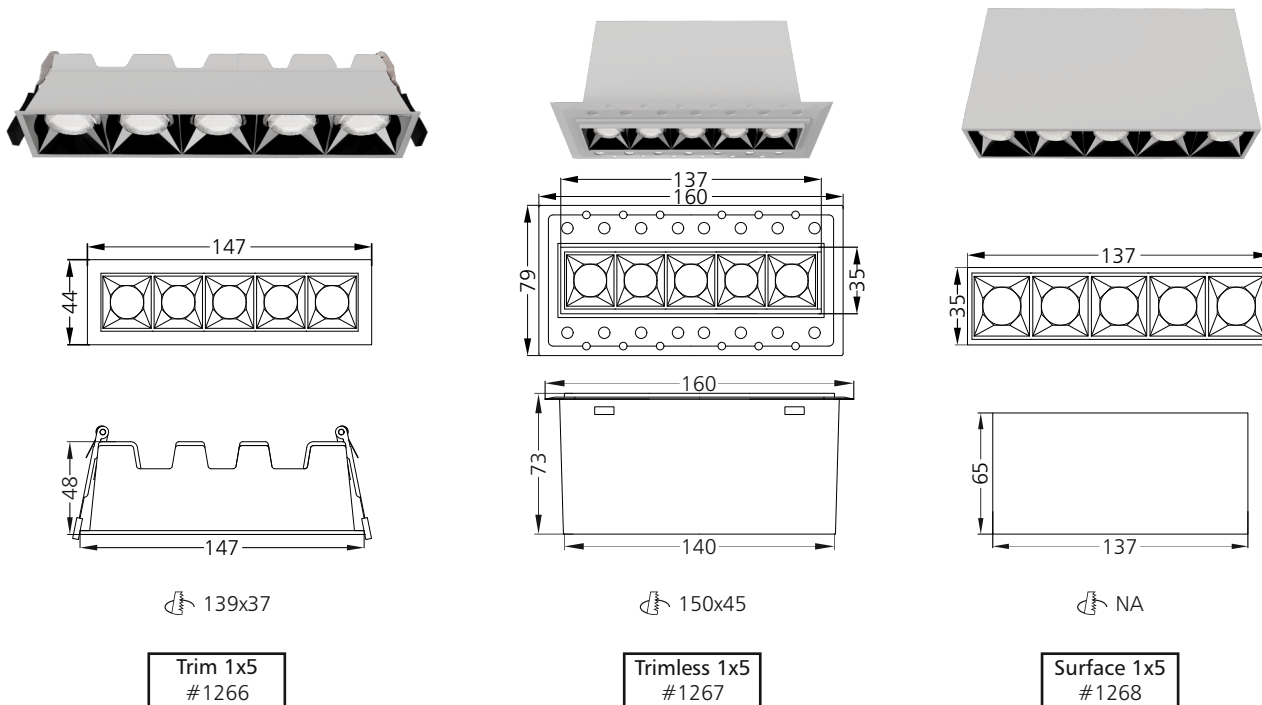


Power	6W - 500mA	6W - 500mA	6W - 500mA
Lumen / CCT	550lm - 2700K 565lm - 3000K 580lm - 4000K Tunable White	550lm - 2700K 565lm - 3000K 580lm - 4000K Tunable White	550lm - 2700K 565lm - 3000K 580lm - 4000K Tunable White
UGR	<19	<19	<19
Beam Angle	15° 24° 38°	15° 24° 38°	15° 24° 38°
Driver Placement	Remote	Remote	In-built

Aeonic

LED	Typ CRI	Body Finish	Reflector Finish	IP Rating	Dimming Options	Filter Options
High Power 3 Step MacAdam L90-B10 60,000Hrs	92	Matt White Matt Black	Specular Pearl Black	IP20	Non Dim Triac Analog Dali Dali Tunable RF Tunable	NA

Aeonic Brick

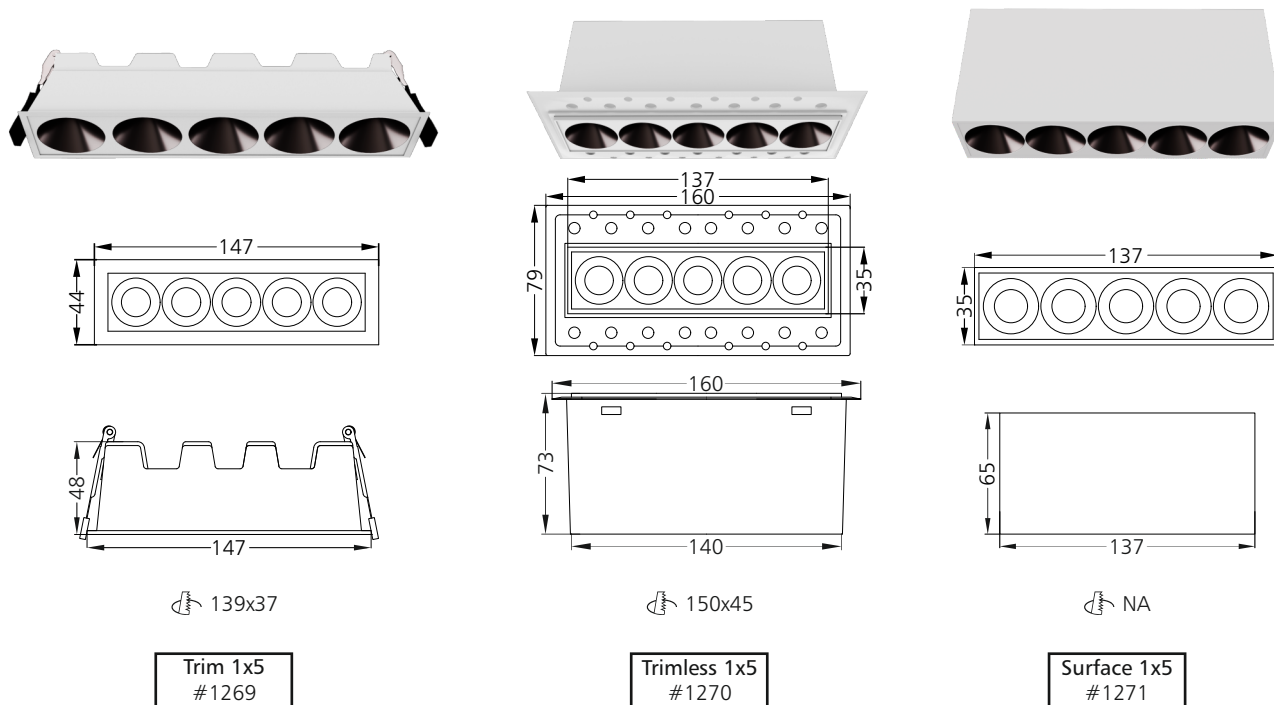


Power	Lumen / CCT	UGR	Beam Angle	Driver Placement
10W - 500mA	905lm - 2700K 930lm - 3000K 955lm - 4000K Tunable White	<19	15° 24° 38° 60° Wallwash	Remote
10W - 500mA	905lm - 2700K 930lm - 3000K 955lm - 4000K Tunable White	<19	15° 24° 38° 60° Wallwash	Remote
10W - 500mA	905lm - 2700K 930lm - 3000K 955lm - 4000K Tunable White	<19	15° 24° 38° 60° Wallwash	In-built

Aeonic

LED	Typ CRI	Body Finish	Reflector Finish	IP Rating	Dimming Options	Filter Options
High Power 3 Step MacAdam L90-B10 60,000Hrs	92	Matt White Matt Black	Matt White Matt Black Specular Pearl Black Matt Gold	IP20	Non Dim Triac Analog Dali Dali Tunable RF Tunable	NA

Aeonic Circle

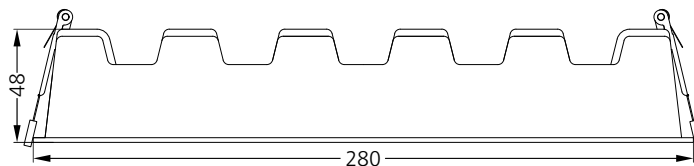
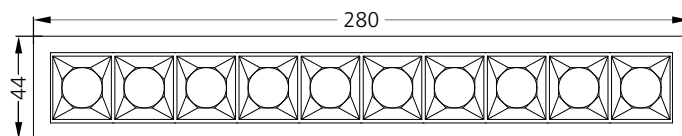


	Trim 1x5 #1269	Trimless 1x5 #1270	Surface 1x5 #1271
Power	10W - 500mA	10W - 500mA	10W - 500mA
Lumen / CCT	905lm - 2700K 930lm - 3000K 955lm - 4000K Tunable White	905lm - 2700K 930lm - 3000K 955lm - 4000K Tunable White	905lm - 2700K 930lm - 3000K 955lm - 4000K Tunable White
UGR	< 19	< 19	< 19
Beam Angle	15° 24° 38°	15° 24° 38°	15° 24° 38°
Driver Placement	Remote	Remote	In-built

Aeonic

LED	Typ CRI	Trim Finish	Reflector Finish	IP Rating	Dimming Options	Filter Options
High Power 3 Step MacAdam L90-B10 60,000Hrs	92	Matt White Matt Black	Specular Pearl Black	IP20	Non Dim Triac Analog Dali Dali Tunable RF Tunable	NA

Aeonic Brick



273x37

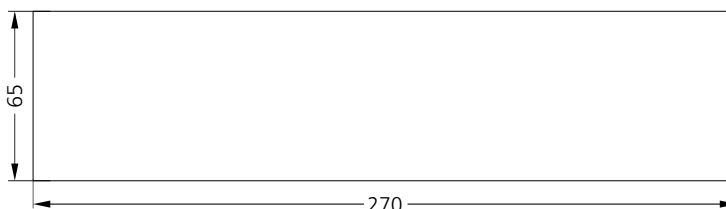
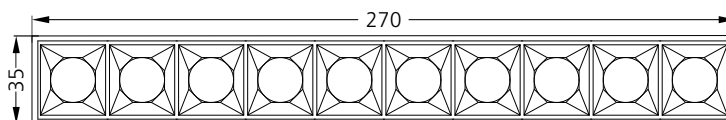
Trim 1x10
#1272

Power	20W - 500mA
Lumen / CCT	1830lm - 2700K 1875lm - 3000K 1935lm - 4000K Tunable White
UGR	< 19
Beam Angle	15° 24° 38° 60° Wallwash
Driver Placement	Remote

Aeonic

LED	Typ CRI	Body Finish	Reflector Finish	IP Rating	Dimming Options	Filter Options
High Power 3 Step MacAdam L90-B10 60,000Hrs	92	Matt White Matt Black	Specular Pearl Black	IP20	Non Dim Triac Analog Dali Dali Tunable RF Tunable	NA

Aeonic Brick



NA

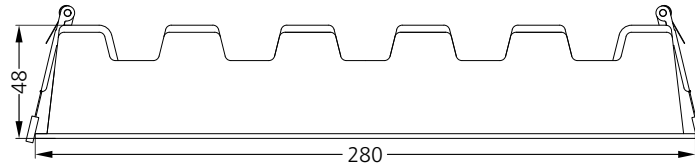
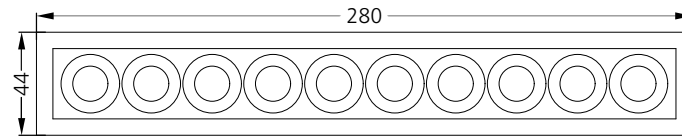
Surface 1x10
#1274

Power	20W - 500mA
Lumen / CCT	1830lm - 2700K 1875lm - 3000K 1935lm - 4000K Tunable White
UGR	< 19
Beam Angle	15° 24° 38° 60° Wallwash
Driver Placement	In-built

Aeonic

LED	Typ CRI	Trim Finish	Reflector Finish	IP Rating	Dimming Options	Filter Options
High Power 3 Step MacAdam L90-B10 60,000Hrs	92	Matt White Matt Black	Matt White Matt Black Specular Pearl Black Matt Gold	IP20	Non Dim Triac Analog Dali Dali Tunable RF Tunable	NA

Aeonic Circle



273x37

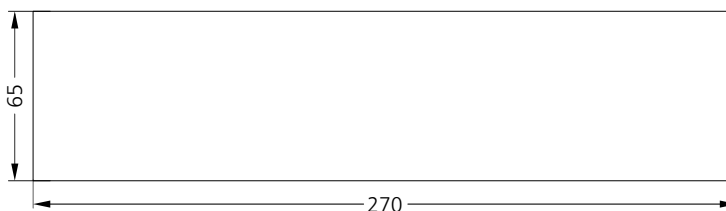
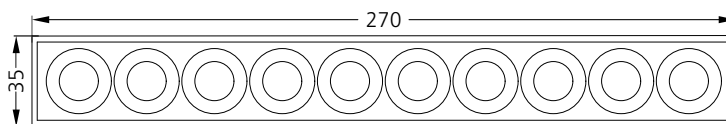
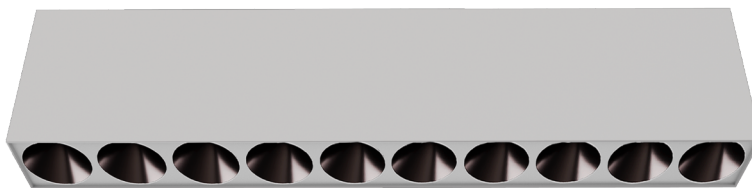
Trim 1x10
#1275

Power	20W - 500mA
Lumen / CCT	1830lm - 2700K 1875lm - 3000K 1935lm - 4000K Tunable White
UGR	< 19
Beam Angle	15° 24° 38°
Driver Placement	Remote

Aeonic

LED	Typ CRI	Body Finish	Reflector Finish	IP Rating	Dimming Options	Filter Options
High Power 3 Step MacAdam L90-B10 60,000Hrs	92	Matt White Matt Black	Matt White Matt Black Specular Pearl Black Matt Gold	IP20	Non Dim Triac Analog Dali Dali Tunable RF Tunable	NA

Aeonic Circle



NA

Surface 1x10
#1277

Power	20W - 500mA
Lumen / CCT	1830lm - 2700K 1875lm - 3000K 1935lm - 4000K Tunable White
UGR	< 19
Beam Angle	15° 24° 38°
Driver Placement	In-built